

## Transparent level gauge type glass-mica

One sight opening, fixed connection, protective LED-light tube

### Application and function

The transparent level gauge is a direct water level gauge with illumination which can be used for steam generators.

In the sight opening, the water level is visible at the interface between water level and steam. The product corresponds to the PED directive 97/23/EEC art. 3 par. 3 SEP (Sound Engineering Practice).

Applied rules as per TRD/AD200 or ASME-Boilers.

### Technical basic equipment

- Body material carbon steel
- As left sided (mapped) or right sided model
- Sight lengths see table
- With drain valve and ventilation plug
- Illumination device IP67
- Shutoff valve type A120 and A210
- Drain valve type AV500, AV 520

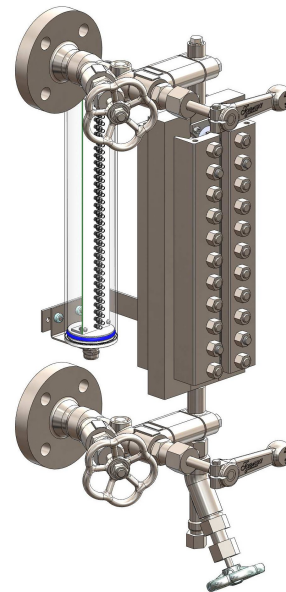
### Available (optional) versions

- Body material according to ASME
- Other drain valve on request

### Technical data

Allowable pressure	PS [bar]	20	32	50	80
Allowable temperature	TS [°C]	215	239	265	296
Shutoff valve	Type	A120		A140	
	Data sheet	D-09-D-16354-1		D-09-D-16355-1	
	Type	A210			
	Data sheet	D-09-D-16356-1			
Drain valve	Type	AV500		AV520	
	Data sheet	D-09-D-16358-0			

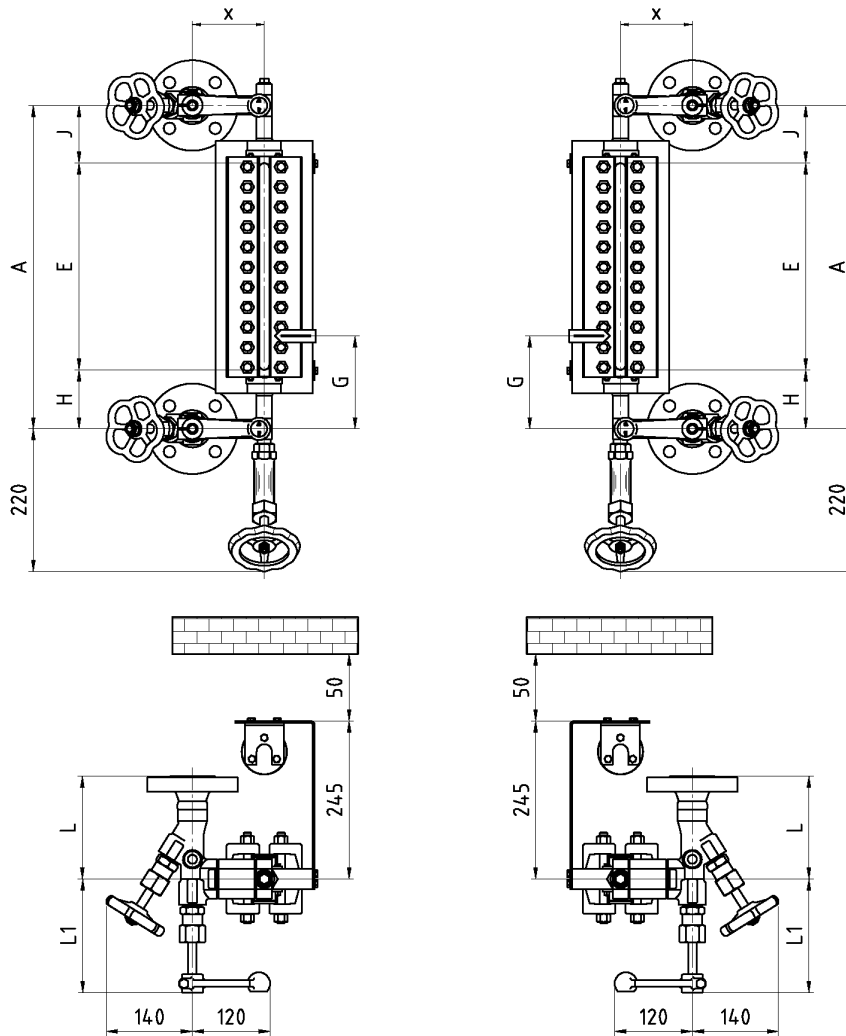
Illumination	
Protective LED-light tube	
IP67 230V / 50Hz oder 110-120V / 60Hz	
Without switch box	D-A1-D-18931-0
With standard switch box	D-A1-D-20722-0



Dimensions and tables

Left sided model

Right sided model



Size		7	8	9	10	11
Sight length	E	260	300	320	350	400
Dimension	H/J <sub>min</sub> [mm]	80				
	H/J <sub>max</sub> [mm]	110/ others on request				



Information:

Depending on the size and version of the level gauge the customer has to arrange a sufficient brace support (eg. spring suspension etc.)



Allowable pressure PS [bar]	Valve	Flange	Welding end	X [mm]	L [mm]	L1 [mm]
20-32	A120	DN20 DIN 2365-C		115	119	175
20-32	A120	DN25 DIN 2635-C		115	119	175
20-32	A120		DN20 DIN 3229	115	130	175
20-32	A120		DN25 DIN 3229	115	130	175
20-32	A210	DN20 DIN 2635-C		115	170	175
50-80	A140	DN25 DIN 2638-E		115	125	175
50-80	A210	DN25 DIN 2638-E		115	160	175
50-80	A210		DN25 DIN 3229	115	160	175

